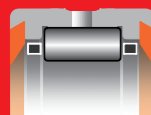


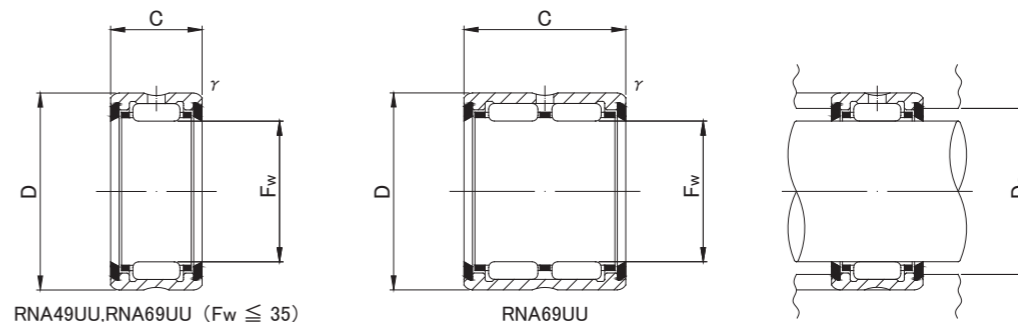
MACHINED RING NEEDLE ROLLER BEARINGS

SEALED, WITHOUT INNER RING



RNA49UU, RNA69UU ($F_w \leq 35$)

RNA69UU



RNA49UU, RNA69UU ($F_w \leq 35$)

RNA69UU

RNA49UU, RNA69UU, SEALED TYPE

Prepacked Grease

| Shaft Diameter (mm) | Designation | | Dimensions (mm) | | | | | Standard mounting dimensions (mm) | Basic dynamic load rating | Basic static load rating | Limiting speed (GREASE) | Mass | Usable bearing designation | |
|---------------------|-------------|------------|-------------------------|----|----|-----------|-----------|-----------------------------------|---------------------------|--------------------------|-------------------------|-----------|----------------------------|-------|
| | RNA 49UU | RNA 69UU | F_w | D | C | r_s min | D_a MAX | | | | | | Cr N | Cor N |
| 14 | RNA 4900UU | — | 14 $+0.027$ $+0.016$ | 22 | 13 | 0.3 | 20 | 8 000 | 8 500 | 14 000 | 16 | IRZ101414 | NA4900UU | |
| 16 | RNA 4901UU | — | 16 $+0.027$ | 24 | 13 | 0.3 | 22 | 8 400 | 9 300 | 12 000 | 18 | IRZ121614 | NA4901UU | |
| | — | RNA 6901UU | 16 $+0.016$ | 24 | 22 | 0.3 | 22 | 15 600 | 20 400 | 12 000 | 30 | IRZ121623 | NA6901UU | |
| 20 | RNA 4902UU | — | 20 $+0.033$ | 28 | 13 | 0.3 | 26 | 9 600 | 11 700 | 9 500 | 22 | IRZ152014 | NA4902UU | |
| | — | RNA 6902UU | 20 $+0.020$ | 28 | 23 | 0.3 | 26 | 18 400 | 27 100 | 9 500 | 38 | IRZ152024 | NA6902UU | |
| 22 | RNA 4903UU | — | 22 $+0.033$ | 30 | 13 | 0.3 | 28 | 10 300 | 13 100 | 8 500 | 23 | IRZ172214 | NA4903UU | |
| | — | RNA 6903UU | 22 $+0.020$ | 30 | 23 | 0.3 | 28 | 19 800 | 30 600 | 8 500 | 40 | IRZ172224 | NA6903UU | |
| 25 | RNA 4904UU | — | 25 $+0.033$ | 37 | 17 | 0.3 | 35 | 17 900 | 20 500 | 7 500 | 55 | IRZ202518 | NA4904UU | |
| | — | RNA 6904UU | 25 $+0.020$ | 37 | 30 | 0.3 | 35 | 33 000 | 44 500 | 7 500 | 96 | IRZ202531 | NA6904UU | |
| 30 | RNA 4905UU | — | 30 $+0.033$ | 42 | 17 | 0.3 | 40 | 20 300 | 25 100 | 6 500 | 63 | IRZ253018 | NA4905UU | |
| | — | RNA 6905UU | 30 $+0.020$ | 42 | 30 | 0.3 | 40 | 39 200 | 58 600 | 6 500 | 110 | IRZ253031 | NA6905UU | |
| 35 | RNA 4906UU | — | 35 $+0.041$ | 47 | 17 | 0.3 | 45 | 21 600 | 28 400 | 5 500 | 71 | IRZ303518 | NA4906UU | |
| | — | RNA 6906UU | 35 $+0.025$ | 47 | 30 | 0.3 | 45 | 40 100 | 63 100 | 5 500 | 130 | IRZ303531 | NA6906UU | |
| 42 | RNA 4907UU | — | 42 $+0.041$ | 55 | 20 | 0.6 | 51 | 30 100 | 46 300 | 4 500 | 110 | IRZ354221 | NA4907UU | |
| | — | RNA 6907UU | 42 $+0.025$ | 55 | 36 | 0.6 | 51 | 51 600 | 92 600 | 4 500 | 200 | IRZ354237 | NA6907UU | |
| 48 | RNA 4908UU | — | 48 $+0.041$ | 62 | 22 | 0.6 | 58 | 37 200 | 58 300 | 4 000 | 150 | IRZ404823 | NA4908UU | |
| | — | RNA 6908UU | 48 $+0.025$ | 62 | 40 | 0.6 | 58 | 63 700 | 116 700 | 4 000 | 270 | IRZ404841 | NA6908UU | |
| 52 | RNA 4909UU | — | 52 $+0.049$ | 68 | 22 | 0.6 | 64 | 38 800 | 63 400 | 3 500 | 190 | IRZ455223 | NA4909UU | |
| | — | RNA 6909UU | 52 $+0.030$ | 68 | 40 | 0.6 | 64 | 66 700 | 126 500 | 3 500 | 355 | IRZ455241 | NA6909UU | |
| 58 | RNA 4910UU | — | 58 $+0.049$ | 72 | 22 | 0.6 | 68 | 41 300 | 71 100 | 3 500 | 180 | IRZ505823 | NA4910UU | |
| | — | RNA 6910UU | 58 $+0.030$ | 72 | 40 | 0.6 | 68 | 70 800 | 142 200 | 3 500 | 320 | IRZ505841 | NA6910UU | |